



**Packaging Machinery  
Services, Inc.**

**Packaging Machinery Sales and Service**

275 East 131 Street • Cleveland, Ohio 44108  
Phone: (216) 451-7878 • Fax: (216) 451-4952

**www.PackNow.com**

E-Mail: [packnow@packnow.com](mailto:packnow@packnow.com)

**Available Machine Listing  
FALL-WINTER 2004**

**FEATURED IN  
BOOTH N-5339 AT:**



**BLISTER / RF / ULTRA SONIC SEALERS**

- 1) Alloyd 9SL1418BCE, 14x18 Conveyor Sealer w/ Card & Blister Folder.
- 2) Alloyd 2SC-1428 2 Station Shuttle Blister Sealer
- 3) Alloyd Model 4 SCBE, 6" x 9" Four Station Rotary
- 4) Andex Mdl F Tbl Top Blister Slr, 8x12 Heat Platen
- 5) Atlas Vac Tray Sealer, 15" x 18" (2)
- 6) Branson Series Model 4AE Ultra Sonic Sealer (3)
- 7) Camid 4 Sta Reciprocating Clamshell Slr, 10"x16"
- 8) Centrex Model 103R 17 x 19 Platten Blister Sealer
- 9) Illig Inline Form, Transfer, Seal 16" x 18" (2)
- 10) PEI Model PC-600, 13x21 2 Sta Shuttle Blister Slr
- 11) P.I./Sentinel FPD, 13" x 14" Blister Sealer, Shuttle
- 12) P.I./Sentinel F-20, 13" x 21" Blister Sealer, Shuttle

- 13) P.I./Sentinel Model JA257 w/Card Feed, 11" x 27"
- 14) P.I./Sentinel Model JA914 w/Cd & BI Feeder
- 15) P.I./Sentinel Model JA914, w/Card Feeder
- 16) P.I./Sentinel Model JA915 w/Cd Feeder
- 17) P.I./Sentinel Model 12 AS, 12" Bar Sealer
- 18) P.I./Sentinel Mdl 24ASG, 24" Laboratory Heat Sealer
- 19) P.I./Sentinel JFA (JA914 w/JF14 & Grav Trans)
- 20) P.I./Sentinel JFA (JA914 w/JF12-12 & Horiz. Transfer)
- 21) Q-Vac Model Q918 Conveyorized 9"x18" Blister Sealer
- 22) Sanden Model KS-4000 TA, R.F. Sealer
- 23) Visual Model M-2, 12" x 14", 2 Sta. Manual Rotary
- 24) Visual Model DS-6, 12" x 14", Six Station Rotary\*
- 25) Visual Mdl SDS4, 14x18 Platen, 4 Sta. Rotary Blstr.Slr.
- 26) Zed Model 15T, 14" x 15" Shuttle Blister Sealer
- 27) Zed Model 15T, 14" x 22" Shuttle Blister Sealer
- 28) Zed 15-111 14"x15" Chain Driven w/Card & Blister Fdr
- 29) Zed 15-111 Conveyor Sealer, 14" x 15" Seal Area
- 30) Zed EZB, 10" x 10" Shuttle Sealer
- 31) ZMD 10" x 26" Conveyor Sealer, 20 Trays

**STRETCH WRAPPERS & STRAPPERS**

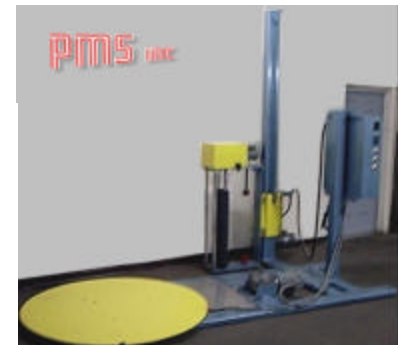
- 1) Bunn Table Top Strapper, 1/4" Strap
- 2) Dynaric Model SM-65 Table Top Strapper
- 3) Exact Equipment Model 810 Wrapper
- 4) Felins Model Loop Plus Small Strapper
- 5) Kaufman Model CT, 102" Mast Stretch Wrapper
- 6) Lantech Lanrapr S-65 Stretch Wrpr, Full Web.
- 7) Lantech Lanrapr SVSA-80-LG Stretch Wrapper
- 8) Malow Model 70 Tyer
- 9) Midstates Model 790, 20" x 36" Strapper
- 10) Poly-Chem PC-100 Tbl Top Strapper, 3/8" Strap
- 11) Samuel P-625 EXS-201 Table Top Strapper
- 12) Signode Model MD300GG, 36" x 92"
- 13) Signode Mdl Spirit Strapper, 49" x 50" Yoke
- 14) Signode Spiral Grip, 130" Mast Stretch Wrapper
- 15) Wilton EXS-600 Table Top Strapper, 3/8" Strap

**PRINT & SILK SCREEN EQUIPMENT**

- 1) Automated Mod P-100 Hot Stamp Printer, 2" x 4" Chase
- 2) Flynn Dual Burner Flame Treater, 6" x 11' Conveyor
- 3) Franklin Hot Stamp, 3 x 6 Platten 1 Ton Mech Index
- 4) Mark Andy Model 82 Gas Fired Heating/Drying Unit
- 5) Printer's Edge Model A-1900 w/Squeegee Sharpener 72"
- 6) Tampo Model TS 150/200/31, 4 Color Pad Printer (2)
- 7) Tampo Model TT/TS80/31, 1 Color Pad Printer (2)



Alloyd 9SL1418BCE



Kaufman Model CT Stretch Wrapper

**Printers: Check our new company  
Geo Packaging Systems, Inc. at  
[www.GeoPackaging.com](http://www.GeoPackaging.com)**

**CARTON SEALERS, ERECTORS & PALLETIZERS**

- 1) Abal Model 504-6 Random Automatic Taper
- 2) Abal Uniform Carton Sealer, 2" Tape
- 3) Bemis Uniform Packomatic Sealer (2)
- 4) Compacker RAP UP 190-1 Hot Melt Wrap Around
- 5) Dobby/Delcor 752 Tray Former Nordson Hot Melt
- 6) Douglas Model M8641, Tray Former w/Hot Melt
- 7) Durable RA-4S Random Case Sealer
- 8) Durable RM-32 Uniform Taper
- 9) EconoSeal Twin Seal 3089 Hot Melt Crtn Sealer
- 10) Elliot Model 5200 Carton Sealer
- 11) General Corrugated Nova 4000
- 12) ISM 6 Head Automatic Stapler Model ARA1 SPL
- 13) Little David Model LD-2C Random 2" Taper
- 14) Little David Model LD-3D Uniform 2" Taper
- 15) Little David Model LD-4C/3 Random 3" Taper
- 16) Little David Mdl LD7-D Taper (2)
- 17) Little David Mdl LD-15 Taper for 1 Piece Fldr & Mlr (2)
- 18) Little David Model LD-19 Uniform 2" Low Profile Taper
- 19) Little David Model LD-16B Uniform Auto. 3" Tape
- 20) Marq Case Erector Model CAM-PST
- 21) Marq Case Sealer Model HPR-SLD-T
- 22) New Way Model 320 Case Packer
- 23) Padlocker Model CF-109-STD Case Erector
- 24) Standard Knapp 455BHM Glu-Liner Crtn. Closer
- 25) SWF Model 1T4 Tray Former
- 26) 3M Model 7R Random 2" Taper
- 27) 3M Model 22A, Uniform 2" Taper
- 28) 3M Model 23A Folder/Mailer, Uniform 2" Taper
- 29) 3M Auto L-Clip Model S-647
- 30) 3M Poly Gun Model 450 Adhesive Applicator
- 31) 3M-Matic 77R-KS 3" Carton Taper
- 32) Wayne Automation Case Erector/Packer/Taper WR-25



Little David LD7-D Taper

**DIE CUTTERS & SLITTERS**

- 1) Abbott Model MG 32 PA Slitter w/ 4 Slitter Heads
- 2) Abbott Model S-42 w/4 Slitter Heads
- 3) Ampak SR-190 20", TL2612, TL3036
- 4) Ampak Model 26 S 30 Slitter, 26" w/5 Slitter Heads
- 5) Ampak RC 2400 Pass Thru Roller Die Cutter (27" Rollers)
- 6) Ampak Model 3330 Rotomatic Die Cutter, 32" x 34"
- 7) Ampak Model 3340 Rotomatic Die Cutter, 34" x 42" (3)
- 8) Femco Model F-6 Roll-A-Dyne Die Cutter
- 9) Femco Model F-40, 32" x 37"
- 10) Hannan 610-R2 Pass Thru Roller Die Cutter (22" Roller)
- 11) Sergeant Model RDC-30 Pass Thru Die Cutter, 4" x 30"
- 12) Schwabe G 22" x 25" Traveling Head w/28" x 60" Table
- 13) Shear-Line Rollodyne 66" Pass Thru Die Cutter
- 14) Visual Roll-O-Flex Model RF4050, 33" x 42"
- 15) WSMW Roll Slitter/Winder



Ampak 3340 Die Cutter



Ampak MS3036 Skin Packer

**SHRINK L SEALERS**

- 1) Beseler Mini System Model 1513-8
- 2) Beseler Model 1513 GSAM, 13" x 15" (2)
- 3) Beseler Mini System Model 1611
- 4) Beseler Mini System Model 1913-8
- 5) Beseler Model 1913 GSM, 13" x 19"
- 6) Beseler Model 1913-MB, 13" x 19"
- 7) Beseler Model 1720-EM-A, 17" x 20"
- 8) Beseler Model 1720 MTB; GMTB 17" x 20"
- 9) Beseler Model 3020 EM-A, 20" x 30"
- 10) Beseler Model 3020 GMTB, 20" x 30"
- 11) Clamco Model 772-36M 20" x 36", Table Top
- 12) Clamco Model 5224, 20" x 24"
- 13) Great Lakes Model 5014, 15" X 15" Maximum Seal Area
- 14) Great Lakes Model 5018, 18" x 20"
- 15) Sergeant Model 1620B, 16" x 20"
- 16) Shanklin Model S-4C, 5" x 15" x 30" Semi-Automatic
- 17) Weldotron Model L1210, 10" x 12"
- 18) Weldotron Model 2601, 13" x 16"
- 19) Weldotron Model 5101, 16" x 20", Semi-Automatic
- 20) Weldotron Model 5201, 16" x 20" Semi-Automatic (2)
- 21) Weldotron Model 5202, 20" x 28" Semi-Automatic
- 22) Weldotron Model 6301, 16" x 20" (2)
- 23) Weldotron Model 6302, 20" x 28"
- 24) Weldotron Model 6401, 16" x 20" (3)
- 25) Weldotron Model 6402, 20" x 28" \*
- 26) Weldotron Model 6441 (Dyna Band) 16" x 20"
- 27) Wrap-O-Matic Mdl LPC 40x60, Semi-Auto L-Sealer, 40" x 60"



Beseler 1913-MB Combo System



Weldotron 5201 Semi-Auto L-Sealer



P.I. / Sentinel Model 1600 In-line Blister Former w/16x17 Platten

**CONTACT US**  
**AT: (216) 451-7878**

Geo Packaging Systems, Inc.

# GEOPAK

*Bag-On-A-Roll Packaging System*

*Introducing a unique and innovative concept in Bag-On-A-Roll packaging machinery that will bring peak productivity and profitability to your packaging operation!!*

## The GEOPAK Features:

- Fast Cycle Rates
- Simple and Reliable Operation
- Color Touch Screen Control Panel
- Versatile Packaging Options
- Ergonomic Design for Operator Comfort
- Compact Size and Modularity
- Open-Top Design for Easy Bag Loading
- Durable Construction
- Easy-Lift Positioning System
- Low Maintenance
- Quiet Operation



SHOWN: GEOPAK bagger with optional "PLUS II" Thermal Transfer Printer and Pneumatic Load Shelf

## A Revolution in Bag On A Roll Packaging

If you are currently bagging products by hand or are dissatisfied with your current bag-on-a-roll packagers, Geo Packaging Systems has the machine for you!

The GEOPAK is a rugged packaging system that is unsurpassed in its simplicity and reliability and can package a variety of products such as hardware, electronic components, medical supplies, brochures, and auto parts - to name just a few.

The GEOPAK's durable construction is designed for industrial use and is built with precision machined and anodized aluminum, stainless steel and hard chrome plated hardware and sealed ball bearings. It can tolerate the harshest packaging environments while ensuring efficient and trouble-free operation year after year.

## Loaded With Features

The GEOPAK comes loaded with standard features and uses state-of-the-art automation technology to make it a reliable part of any packaging operation.

A high-torque stepper motor indexes every bag with repeatable precision, while a digital heater control provides consistent high quality seals, and a PLC controller allows for on-the-fly adjustments of all machine settings.

Innovative design features set the GEOPAK bagger apart from the crowd. Like the open-top design and four roller unwind that makes loading bags quick and easy. Or the bag reverse feature that places the opened bags around the mouth of the funnel ensuring that the product makes it into the bag every time.

The user-friendly touch screen provides complete machine diagnostics, innovative functionality, and precise package setting controls that can be customized for each application.

For the ultimate in mobility, the GEOPAK is mounted to a hydraulic lift table with easy-glide casters. A single operator can roll the bagger into position, pump the handle to raise it to the correct height and begin packaging. It really is that

easy! At just 29" wide, the GEOPAK's small footprint makes it highly maneuverable even in tight spots and will use up less space in your production area.

## Maximize Productivity

All of the GEOPAK's features combine to guarantee that more time will be spent packaging the product and less time messing around with adjustments and bag roll changeovers.

Whether you use the GEOPAK for a hand filling operation or as the core of a fully automatic packaging system when integrated with in-feed devices like weighers, counters, and conveyors, you will quickly notice an increase in productivity and profits. To expand the GEOPAK's abilities, add the Geo "PLUS II" In-Line Thermal Transfer Printer to create a complete "Print-N-Pack" solution.

If you would like more information on additional features that the GEOPAK has to offer for your packaging application, call us now and see what we can do for you!

**GEO** PACKAGING  
SYSTEMS INC.

## STANDARD FEATURES

<b>Modular Construction:</b>	Made with precision machined and anodized aluminum, stainless steel and hard chrome plated parts, and sealed bearings.
<b>Controller:</b>	PLC
<b>Operator Interface:</b>	5.7" Color Touch Screen & Digital PID Temperature Cont.
<b>Operating Modes:</b>	Manual— Each cycle initiated by operator Automatic— Continuous Timed Cycling Auxiliary— Each cycle is initiated by an input signal from an interfaced device
<b>IO Interface:</b>	Inputs— Begin Cycle, (Closed Contact) Aux Equip Ready, (Closed Contact) Outputs— Ready To Fill, 24 VDC Bagger Ready, 24 VDC
<b>Drive Motor:</b>	Stepper Motor advances bags up to 24" per second
<b>Bag Registration:</b>	Spark perforation sensor
<b>Warranty:</b>	One Year limited warranty on parts and labor

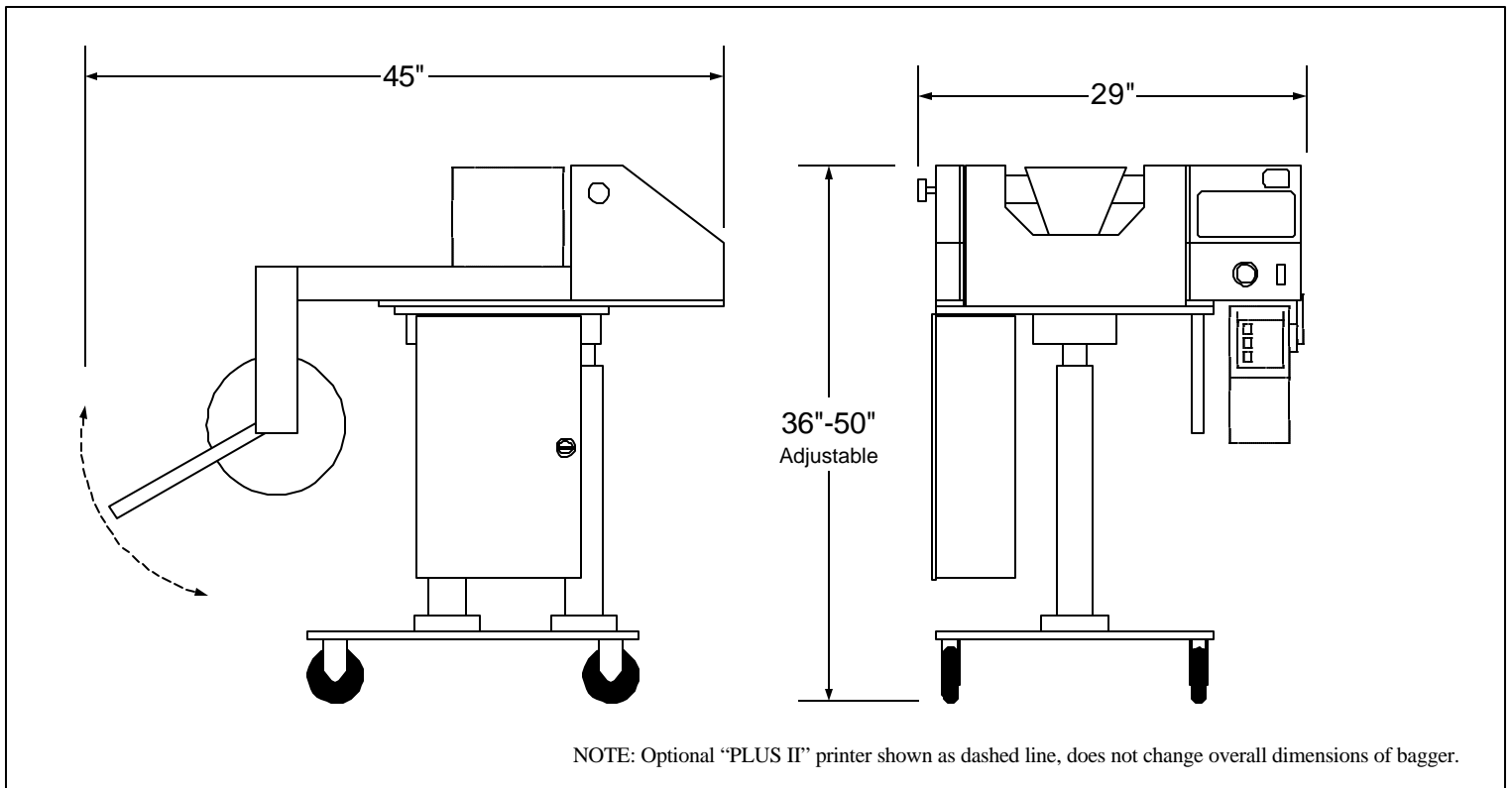
Get more information at  
[www.geopackaging.com](http://www.geopackaging.com)

## SPECIFICATIONS

<b>Cycle Rate:</b>	Up to 70 bags per minute (Dependent on fill time, seal dwell, and package length)
<b>Minimum Bag Width:</b>	1.5" [3.8 cm]
<b>Maximum Bag Width:</b>	14" [35.6 cm]
<b>Bag Length:</b>	With Load Shelf- 5" to 15" [13 cm - 38 cm] No Load Shelf- 1" to 20" [2.5 cm - 51 cm]
<b>Bag Thickness:</b>	1 mil to 6 mil
<b>Material Types:</b>	Pre-opened Bags-On-A-Roll, made of any material that can be sealed by heat. Such as but not limited to: high and low density polyethylenes, polypropylene, tyvek, vinyl, etc.
<b>Power Requirements:</b>	110 volts AC +/- 5%, 50-60 Hz, maximum 6 amps
<b>Air Requirements:</b>	80 - 100 psi, dry and filtered
<b>Operating Temperature:</b>	50-100°F [10-38° C]
<b>Weights:</b>	Bagger— 45 lbs. [20.5 kg] Electronics Control Unit—32 lbs. [14.5 kg] Lift Table—85 lbs. [38.6 kg]

## GEOPAK OPTIONS

<b>Pneumatic Load Shelf:</b>	Supports the bag while it is being filled and drops clear when bag is sealed
<b>Bag Seal Flattener:</b>	Creates attractive, wrinkle-free seals
<b>Bag Deflator:</b>	Removes extra air from bag before sealing
<b>Thermal Transfer Printer:</b>	For in-line printing of barcodes, graphics, and text on each package (See Geo "PLUS II" printer brochure)



Geo Packaging Systems, Inc.

# “PLUS II” SERIES

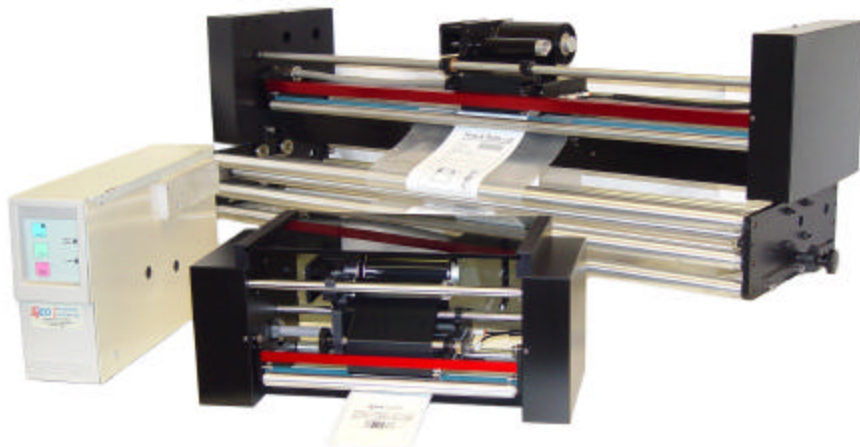
*In-Line Thermal Transfer Printing Systems*

## *The Best Just Got Better.*

Geo Packaging Systems has been leading the way with In-Line Thermal Transfer package printers since 1989. For years, the Geo “PLUS” printer has proven itself as one of the most reliable printers in the field. With the PLUS II we’ve taken it to the next level.

## Features of the PLUS II:

- State-of-the-Art Digital Technology
- Superior Print Quality
- Prints Text, Graphics, & Barcodes
- Print Speeds Up to 8” Per Second
- Adjustment-Free
- Simple and Reliable Operation
- Compact Modular Design
- Ribbon Saver
- Industrial Construction
- Minimal, Low Cost Maintenance
- Perfect for Bag On A Roll, C-Fold, or Form/Fill/Seal Packagers



Models G135-P2 (front) and G365-P (back)



Simply put, the PLUS II is a state-of-the-art yet rugged package printing system that provides unsurpassed print quality & performance.

### **An Extremely Versatile Printer**

The Geo “PLUS II” printer is superior when it comes to printing **crisp, dark, durable images** on virtually any type of flexible packaging material. The compact, open-architecture printer can be installed and operated on all brands of intermittent motion packagers and can be mounted right side up or upside down to print on either side of the film. Five available models will accommodate **film sizes up to 36” wide.** \*\*

Any type of information or designs can be printed directly on your package with the PLUS II. The 4.1” wide print head allows for **large print areas**, and **digital thermal transfer technology** gives you the flexibility to print over 15 different types of bar codes, text (including TrueType fonts), custom graphics and logos, nutrition panels, lot codes, time/date stamps or database fields.

### **Easy To Use**

The Plus II was designed with operators in mind. Installation is simple with Geo’s **custom mounting brackets** that bolt right onto your specific packaging machine.

The PLUS II will work with any third party label software package that supports the Datamax Prodigy Plus printer, letting you **create and download labels in just minutes.** Many other in-line thermal transfer printers can only be used with the manufacturer’s “proprietary” software—limiting your options right from the start.

To keep you informed of the printer’s status, the PLUS II features an easy to read front panel indicator, ribbon out sensor and built in diagnostics.

Based on the proven PLUS printer, the PLUS II incorporates many **NEW** features including a rotating print head\*\* for easy access when cleaning or loading materials, a reduced frame size, and a quick change print roller to make cleaning and replacement a snap!

### **Unmatched Cost Savings**

Did you know that thermal transfer printing is the fastest, simple, and **most economical** way to print on a package? When you add up equipment, ribbon, and maintenance costs, the PLUS II has a lower “per package” cost than hot stamp **or** labor intensive print-and-apply labeling.

The PLUS II is constructed specifically for use in industrial environments and contains **fewer moving parts** and is **adjustment-free.** Use the PLUS II for your on-demand package printing needs and you are guaranteed to maximize production time, keep maintenance costs low, and ensure that the 1,000,000<sup>th</sup> print will look just as good as the first.

With the PLUS II you not only get the best thermal transfer package printer available but also access to **extensive and prompt customer support** that makes Geo Packaging Systems a stand-out in the industry. Give us a call now and see what we can do for you!!

### STANDARD FEATURES

- Modular Construction:** Made with Anodized aluminum, sealed bearings, pre-lubricated bronze bushings
- Print Engine:** Datamax Prodigy Plus
- Printhead:** High quality 203 dpi, thermal transfer type
- Resident Bar Codes:** Code 39 / Mod A, Code 93, Code 128 / A / B / C / C Mod 10, UCC/EAN 128, EAN 8 / 13 / 128, UPC A / E, UPC/EAN 2 & 5 digit addendums, Interleaved 2 of 5 / Mod 10, Plessey, Postnet, CODEABAR, UPC Shipping Container Symbology, HBIC, PDF 417, Maxicode
- Resident Character Set:** Nine Alpha-Numeric Fonts (expandable X and Y from .035" high to 16" high) including OCR-A,B and a CG Triumvirate smooth font containing 10 point sizes
- Aux. Equipment I/O:** Input- Begin print cycle  
Output- Printer on, printer busy, printer ready  
(All I/O available for AC or DC signals)
- Ribbon Detection:** Proximity Sensor-Ribbon out / ribbon fault alarm
- Communication:** RS-232 Serial or optional RS-422 serial  
19200 max. baud rate
- Warranty:** One Year limited warranty on parts and labor

### SPECIFICATIONS

- Print Speed:** Up to 8" per second
- Print Area:** 4.1" wide maximum x 10" long (20" w/ RAM module)
- Software Compatibility:** Any label formatting software compatible with the Datamax Prodigy PLUS printer
- Ribbon Type:** Thermal transfer, black or colored, Coated side in 4.5" wide maximum x 2000' long maximum
- Flexible film types:** High and low density Polyethylene and Polypropylene, metallized polys, tyvek, vinyl, polyester, foil, cello, bags-on-a-roll, pre-printed films and others. All materials and pre-printed inks must be compatible with thermal transfer inks.
- Power Requirements:** 110 volts AC +/- 5%, 50-60 Hz, maximum 2 amps (220 volts optional)
- Air Requirements:** 80 - 90 psi, dry and filtered
- Operating Temperature:** 50-100°F [10-38° C]
- Weights:** Printer: 17-23 lbs. [7.7-10.5 kg] **Depending on model**  
Slide Units: 9 - 14 lbs. [4 - 6.4 kg]  
Electronic Control Unit : 24 lbs. [10.9 kg]
- Dimensions:** Printer: See diagram below  
Electronic Control Unit: 4.5" W x 10" H x 18" L

### MODELS

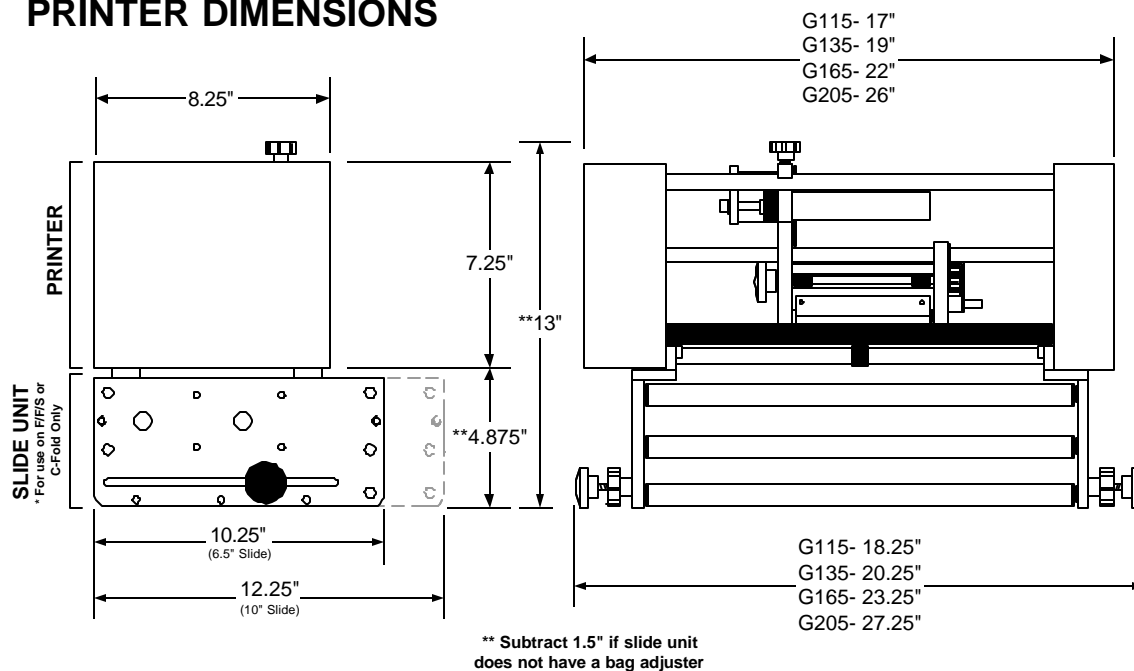
Model Number	Maximum film width
G135-P2	13"
G165-P2	16"
G205-P2	20"
G265-P*	26"
G365-P*	36"

### Thermal Transfer Ribbons

Geo Packaging Systems offers a complete line of high quality ribbons that are recommended and approved for the PLUS II printing system, as well as ribbons for other thermal transfer printer brands. These ribbons are available in a variety of formulations and sizes to create superior printing results for your specific application. Support in establishing your material needs is always available through Geo Packaging.

\*Note: For film sizes between 21" and 36" Geo offers the G265 and G365 **PLUS** model printers, which do not contain the rotating head carriage. For information on these models, please contact Geo Packaging Systems.

### PRINTER DIMENSIONS



## BAGGERS / WRAPPERS

- 1) About Packaging Robotics Pouchmaster (4)
- 2) APM Model SBP-22 Bag Opener (2)
- 3) Automated Maximizer Conveyor-Feed System
- 4) Automated Accu-Count Model DAC 1000
- 5) Automated Model H-75 Bagger, 12" Seal
- 6) Automated H-100 Automatic Bagger
- 7) Automated Model P-100 Hot Stamp Imprinter (3)
- 8) Bartelt Model 50A Packmaster Pouch Bag (3)
- 9) Bodolay Auto Bagger Model 34-1416HL
- 10) Dobby Model CBS-B Band Sealer
- 11) G&G Eng Form & Fill Poly Bagger MARK 12-6-40
- 12) Geo Pak Bag-On-A-Roll Bagger—NEW
- 13) LC Gess #1700 ; 1200H-6; 4500-6
- 14) National Wrapper Type BW-5/Cello
- 15) Pak Rapid Mdl AH-8 Pouch Bagger, Sngl Lane (2)
- 16) Pak Rapid Model HC Pouch Bagger, Dual Lane
- 17) Pak Rapid Model HC Pouch Bagger, Single Lane
- 19) Pac Model 30-VB Vacuum Sealer, 30" Seal - Snorkl
- 20) Pac Model PI-G18 Impulse Sealer, 30"L, 1/8" Seal Area
- 21) Pac PV-G18 Impulse Vacuum Slr, 30"L, 1/4" Seal Area
- 22) Pac Model PVB24 Constant Heat Vacuum Sealer, 24"
- 23) Phillips MA1-30 15" x 30" Hot Knife (No Scrap Winder)
- 24) Rennco 101 Bagger, Max 4.5" x 18" x 20" Jaw Opening
- 25) Rennco Model 101-S Bagger, 14" x 20" (3)
- 26) Rennco Mdl LS Table Top Bag Sealer, 3/8"W x 18"L
- 27) Roto Wrap Model B-6
- 28) Save-O-Seal Mark V Drop Sealer w/20" Seal/Cut
- 29) Sharp Model BPS-1 Automatic Bagger
- 30) Sigma Systems Model PFX Electric Parts Counter
- 31) Sigma Systems Model PFX Small Parts Counter (2)
- 32) Top Vac Model 12-101, 2.5" x 10" x 12" Vacuum Pack
- 33) U.S. Packaging Model MA-12, 6" x 12" Up Seal
- 34) U.S. Packaging MA1212, MA2015, MA3015
- 35) Woodman E Plura-A-Matic, S/S Dual Ln Weigh Feeder



GeoPak Bagger with Printer-NEW

**Baggers** → [www.GeoPackaging.com](http://www.GeoPackaging.com)

## SKIN PACKAGING

- 1) Ampak Duramatic Automatic Skin System 18" x 24"
- 2) Ampak Dyna-Pak, 18" x 24" Automatic
- 3) Ampak Model SA240 Console, 18" x 24"
- 4) Ampak A3600SV 30x36 w/Trvl Oven PD Pump & Twin Turbine
- 5) Ampak Model MP 2430A, 24" x 30"
- 6) Ampak MS-3036 w/ATF 3036 Automatic In-Feed
- 7) Ampak MS-3036B Mstr Series III, 2 Sta Temp Infnd & Sta Oven
- 8) Ampak Master Series 24 x 36; 30 x 36, All w/Traveling Oven
- 9) Ampak—Centurion Mdl C3036 BT, 30" x 36" (4)
- 10) Ampak Master PC MP3036A w/ATF3036 Infnd & OF36 Outfeed
- 11) Abbott MG3036-PD Sized to 24" x 36"
- 12) Farallon 24" x 36" Auto Feed
- 13) Sergeant Model 3036T, 30" x 36"
- 14) Sergeant Model 3036T w/TCL30 Card Feeder
- 15) Stone 24" x 30"; 30" x 36"; 36" x 36"
- 16) Zed Auto Skin-N-Trim, 18 1/2" x 21"



Zed Automatic Skin -N-Trim



Conflex E-260 Auto Shrink



Weldotron 7142 Tunnel

## THERMO, PRESSURE & VACUUM FORMERS

- 1) AutoVac 2436
- 2) P.I./Sentinel #1600 Inline Form, Trim, Stack, 16"x17"
- 3) Thermtrol Model 200, 10" x 12"

## SHRINK AUTOMATICS

- 1) Allied/Danmark Model APS-ST, 16" x 24"
- 2) Conflex E-260, 19" x 27.50"
- 3) Cryovac Model 7101A, 3" x 12" x 12"
- 4) Great Lakes TS37 In-Line Automatic Horizontal Wrapper
- 5) Hanagata Model HP-10, 4" x 17" x 20" (2)
- 6) Hanagata Model Super HP-10, 17 3/4" x 19 1/2"
- 7) Kalfass Pack-Let 4000, Horizontal Wrapper
- 8) Oliver 898 6" x 8.5" x 13.5"; 906 4" x 16" x 20"
- 9) Sergeant Model FA90XL, 22" x 24" Auto In-Line
- 10) Shanklin Mdl A2, 6" x 15" x 33" (Slide Table w/Pusher)
- 11) Shanklin Model A-4, 6" x 15" x 33" (Air Table w/Pusher)
- 12) Shanklin Model F-1 Auto Form, Fill & Seal
- 13) U.S. Packaging Model A70-T, As-Is
- 14) Weldotron 1601 High Speed—Max Pkg. 4"H x 16"L x 16"W
- 15) Weldotron Model 1901, Vertical Seal 4.8" x 6.5" Dia.
- 16) Weldotron Model 5874, 4.5" x 20" x 28"
- 17) Weldotron Model 5911, 5" x 16" x 32"



Shanklin Model F-1 Auto Form, Fill & Seal

**Looking for a specific machine or part ?**

**Let us find it for you !**

**\* PARTS \* TEFLON TAPE \***

**\* SEAL WIRE \* RIBBON ELEMENT \***

## SHRINK TUNNELS

- 1) Beseler Model T14-8, 8" x 14" x 24" (2)
- 2) Beseler Model T15-9, 9" x 15" x 52" (3)
- 3) Beseler Model T20-9, 9" x 20" x 52"
- 4) Clamco Mdl 850-R3, 10" x 14" x 26"
- 5) Clamco 5880, 10" x 20" x 28"
- 6) Clamco #110, Top Only, No Cnvr (2)
- 7) Damark Model S34, 20"H x 34"W x 48"L
- 8) Eastey #ET 1610-36, 10H x 16W x 36L
- 9) Great Lakes Mdl HVP3/387, 15"x30"x60"
- 10) Heat Seal Mdl T-3417/8LDR, 8"x17"x34"
- 11) Master Pkg. 1824-94, 18" x 24" x 94"
- 12) Oliver Model 916, 3" x 20" x 60"
- 13) Sergeant 92416-BC, 9" x 16" x 24"
- 14) Sergeant Model 93016-LR - 8" x 16" x 30"
- 15) Shanklin Model T8PR, 15" x 28" x 46"
- 16) Weldotron Model 7012, 8" x 16" x 26" (2)
- 17) Weldotron Model 7121, 8" x 16" x 46"
- 18) Weldotron Model 7141, 8" x 16" x 60" (2)
- 19) Weldotron Model 7142, 8" x 22" x 60"
- 20) Weldotron Model 7221, 8" x 22" x 46"
- 21) Weldotron Model 7303, 10" x 22" x 42"
- 22) Weldotron Model 7603, 16" x 30" x 48"
- 23) Weldotron Model 7805, 15" x 30" x 100"



Shanklin T8-PR Tunnel

**TURN YOUR UNUSED  
MACHINERY INTO \$**  
**\*WE WILL SELL IT FOR YOU!**  
**\*WE WILL BUY IT FROM YOU!**  
**CALL KEN AT:**  
**(216) 451-7878**



Arpac 108-20 Bundler

## BUNDLERS / SLEEVE WRAPPERS

- 1) Arpac Model 105-20 Right Angle (3)
- 2) Arpac Model 108-20 Right Angle (3)
- 3) Arpac Model 25TW28 Bundling System
- 4) Great Lakes Model 16560, 60" Bundler (2)
- 5) Great Lakes Band-O-Matic 708-37, Right Angle 15" x 37"
- 6) Great Lakes Mdl. HCF37 Horizontal Wrapper w/ Mdl 4/4814/C4HP Tunnel
- 7) Ideal Model 505-20 w/Model 1220 Tunnel
- 8) J & D Mdl JD 1530IL, Automatic In-Line Bundler, 15" x 30"
- 9) Kanepack Bundler Model U15135 16" x 30"
- 10) Poly Pak Model A2060, Stainless 7" x 24"
- 11) Scandia Model 110, 5" x 8" x 12"
- 12) Weldotron 1209-A Auto Belt to Belt, 14" x 30"
- 13) Weldotron Mdl 1297, Auto Belt to Belt 14" x 30" Hydraulic



Weldotron 1209-A Bundler



Arpac 25TW28 Bundler

## **SALES & SERVICE OF USED / RE-CONDITIONED MACHINES SINCE 1975**

**Ampak, Arpac, Atlas Vac, Autobag, Beseler, Bemis, Brown,  
Clamco, Comet, Conflex, Dobby, Durable, Econoseal, Elliott,  
Great Lakes, Hanagata, Ideal, Infra Pak, Lantech, Little David,  
Pak Rapid, P.I./Sentinel, P.V.I., Rennco, Scandia, Schwabe,  
Sergeant, Shanklin, Sigma, Signode, Scotch 3M, U.S.M.,  
Vertrod, Visual, Weldotron, Wilton, Zed, and Many Others.....**

**VISIT OUR WEB SITE AT : [www.PackNow.com](http://www.PackNow.com)**

**E-MAIL : [packnow@packnow.com](mailto:packnow@packnow.com)**